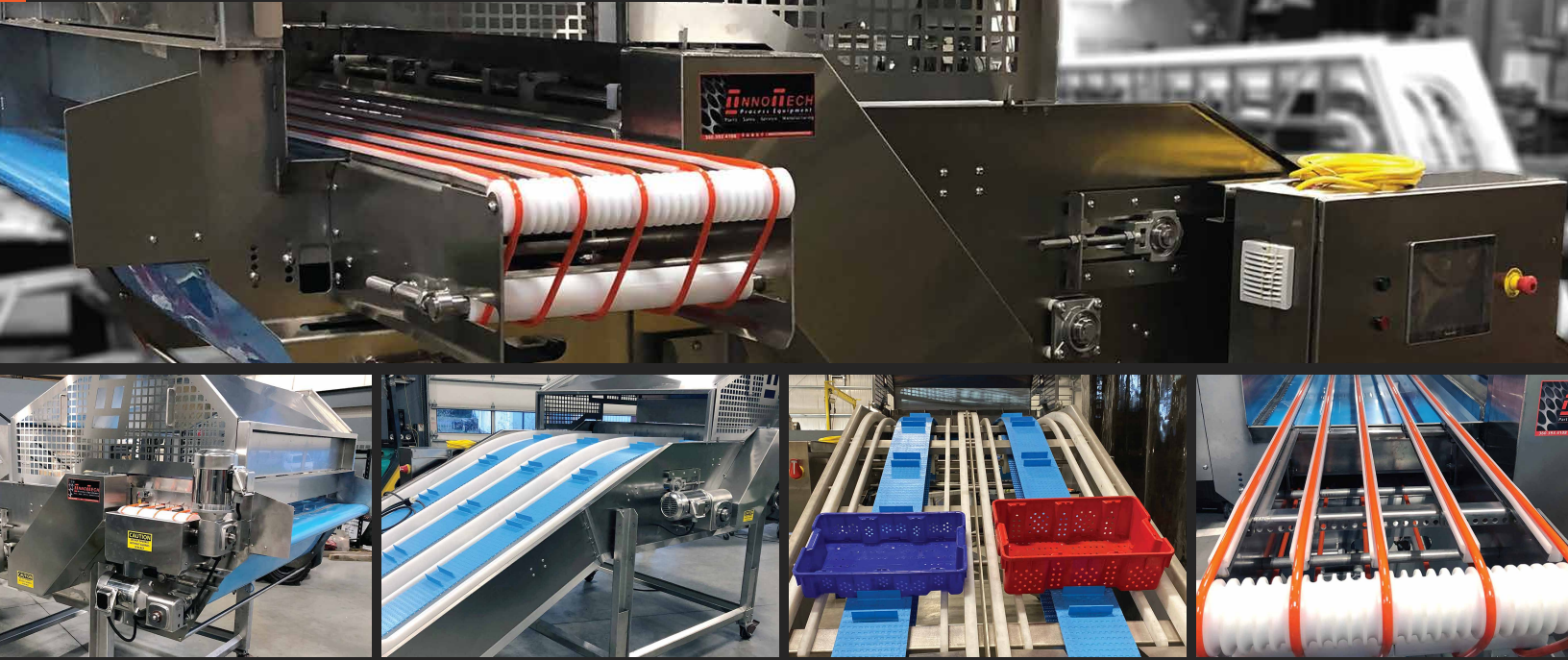


LUG & FLAT DUMPERS



Designed for the **tough**
Process Facility
environment

- Touch Screen Operation
- Gentle Pouring Action
- All Electric Controls
- 1, 2, & 3 Lane Models
- Multiple Outfeed Options
- Can Run Any Container

Lug Dumpers **Fully Mobile***

Easy To Use - Adjustable Height - Configurable Settings

* With Optional Locking Casters



UL 508A
Industrial Control
Panel Fabricator

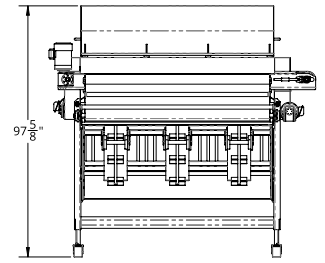
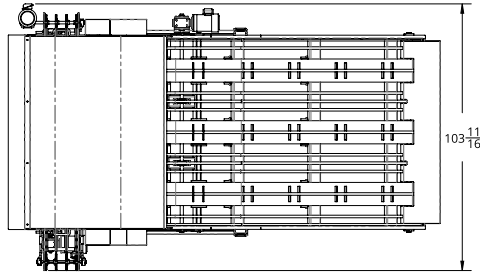
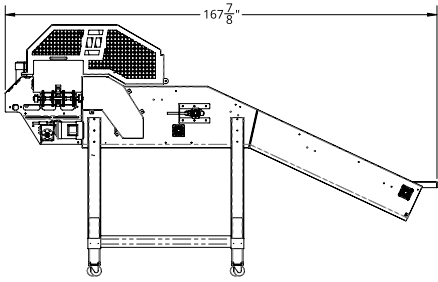
INNOTECH
Process Equipment
Parts . Sales . Service . Manufacturing

360.393.4108

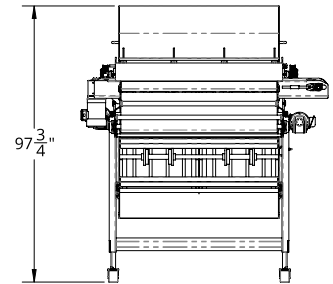
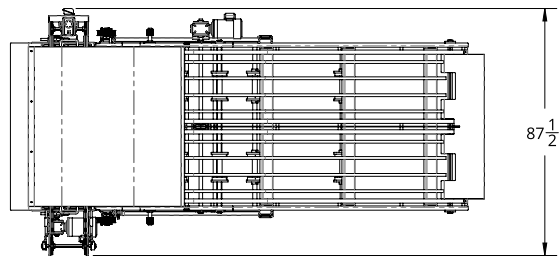
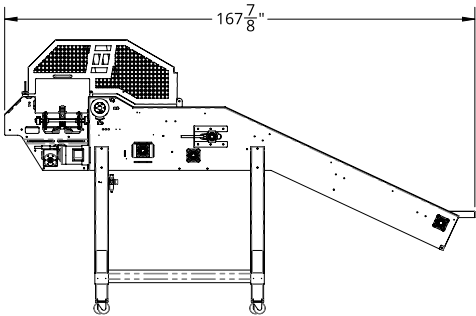


INNOTECHPROCESSEQUIPMENT.COM

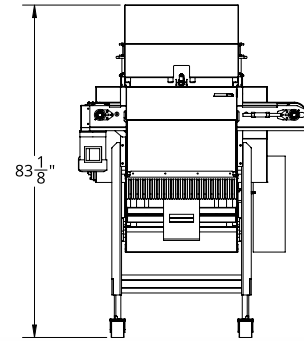
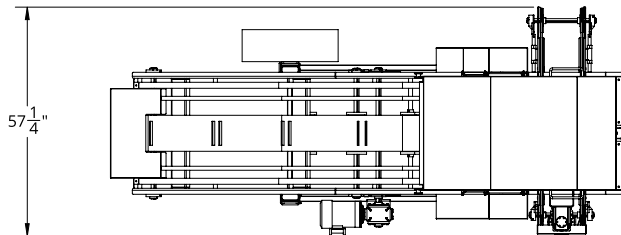
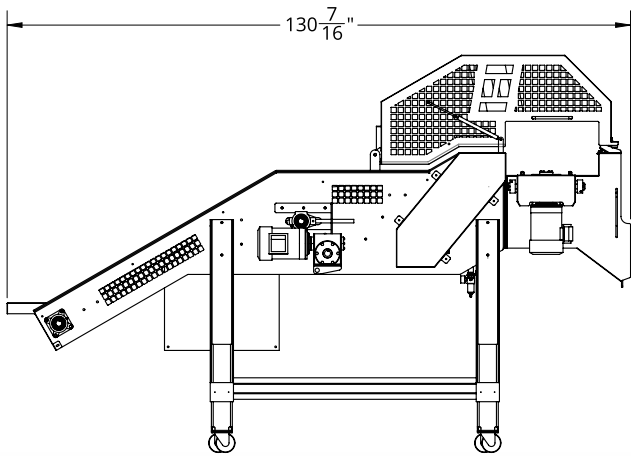
Specifications



Triple Lane Dumper



Dual Lane Dumper



Single Lane Dumper



- Process Equipment Design & Manufacturing
- Engineering & Consulting Services
- Automation & Controls
- Robotics Integration
- Maintenance & Service